

Product technical sheet

# PRB 220



14+



< 140 kg

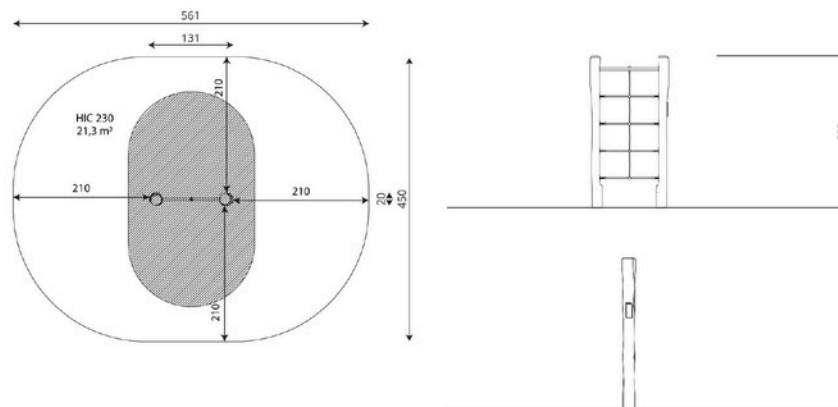


21,3 m<sup>2</sup>

## Product data

Length	131 cm
Width	20 cm
Total height	250 cm
Age group	14+ years
Maximum weight of user	140 kg
Safety zone	21,3 m <sup>2</sup>
Free fall height	230 cm
In accordance with norm EN	16630:2015
Weight of the heaviest part	81 kg
Dimensions of the largest part	18x18x350 cm
Availability of spare parts	YES
Installation time	1,5 h

Data is subject to change without prior notice.



KUCE RAKICA BR7  
TUŽI / MONTENEGRO

+382 69 226 334  
+382 69 226 337  
+382 67 190 090

INFO@PARKWORLD MNE.COM  
OFFICE@PARKWORLD MNE.COM

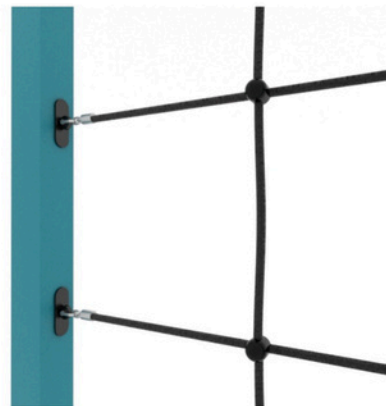
## Material specification



Construction made of Robinia - very durable acacia wood with a diameter of ~ 18 cm without sharp edges, resistant to weather conditions,



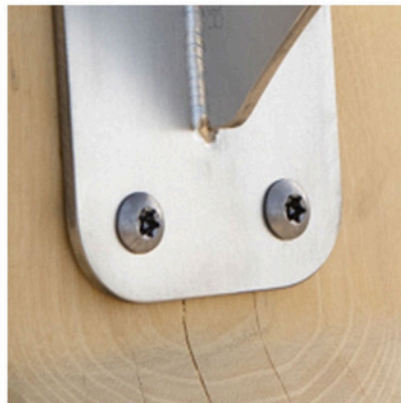
Aluminum exercise instructions plate screwed to HDPE plate, resistant to weather conditions,



Steel ropes in polypropylene braid, connected with durable plastic elements, stainless steel or aluminum,



Stainless steel bars and handrails,



Stainless steel screws and/or screws covered with plastic caps,

## Additional information

- equipment adapted for the disabled; device intended for public outdoor gyms;
- equipment has a certificate issued by an accredited entity or a declaration of conformity;
- no sharp edges or chinks that would pose a danger of jamming the head, fingers or any other body parts;
- anchoring on flat surface, 100 cm deep;
- render is for reference only, the actual appearance of the equipment and its color may vary;

KUCE RAKICA BR7  
TUŽI / MONTENEGRO

+382 69 226 334  
+382 69 226 337  
+382 67 190 090

INFO@PARKWORLD.MNE.COM  
OFFICE@PARKWORLD.MNE.COM

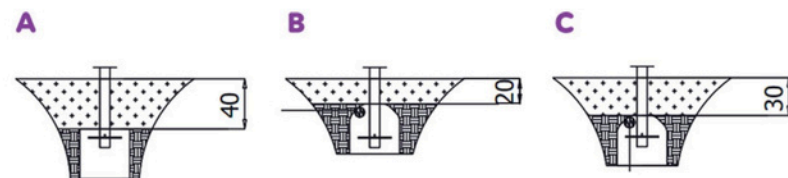
## Amount of safe surface corresponding with free fall height:

HIC 230 21,3 m<sup>2</sup>

Data is subject to change without prior notice.

## Surfaces according to EN 16630:2015

	Description (mm)	Layer thickness (cm)	Maximum fall height (cm)
Concrete / stone / bituminous surfaces (A, B, C)	-	-	≤100
outer soil layer (A,B,C)	-	-	≤120
Turf (A,B,C)	-	-	≤150
bark (A,C)	Particle size from 20 to 80	30	≤200
		40	≤300
wood shavings/cuttings (A, C)	Particle size from 5 to 30	30	≤200
		40	≤300
sand (A,C)	Particle size from 0,2 to 2 mm	30	≤200
		40	≤300
gravel (A,C)	Particle size from 2 to 8	30	≤200
		40	≤300
attested synthetic (A, B, C)	Tested according to EN 1177		230



**KUCE RAKICA BR7**  
**TUZI / MONTENEGRO**

+382 69 226 334  
+382 69 226 337  
+382 67 190 090

[INFO@PARKWORLDMNE.COM](mailto:INFO@PARKWORLDMNE.COM)  
[OFFICE@PARKWORLDMNE.COM](mailto:OFFICE@PARKWORLDMNE.COM)